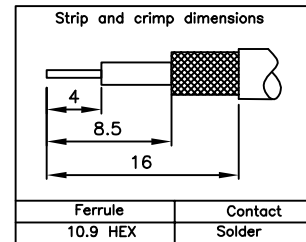
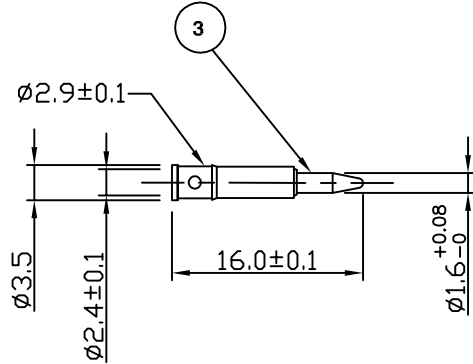
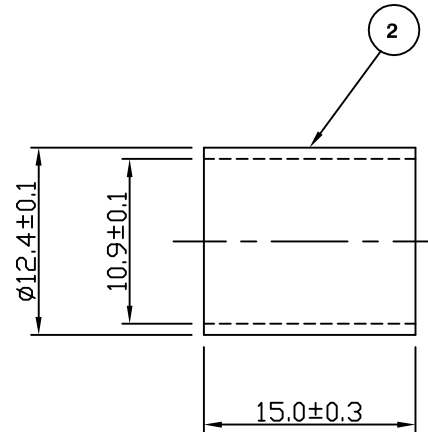
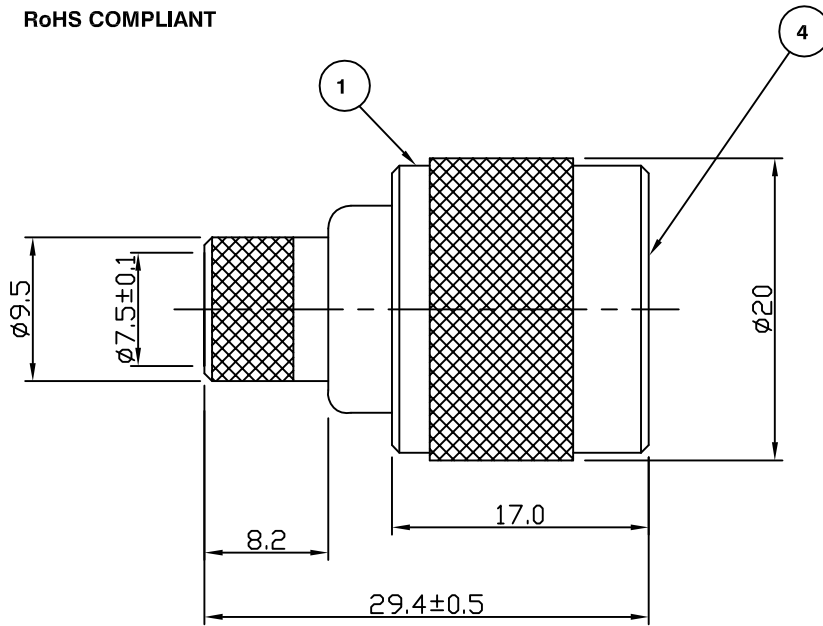


RoHS COMPLIANT



**Electrical Characteristics**

Nominal Impedance:	50 ohms
Frequency Range:	DC to 11 GHz
VSWR	1.35:1 maximum
Insertion Loss	0.17 dB max
Operating Voltage (rms):	1500 V maximum at sea level
Dielectric Withstand Voltage (rms):	2500 V maximum at sea level
Contact Resistance:	1.0 milliohms maximum
Insulation Resistance:	5000 megohms minimum

**Mechanical Characteristics**

Mating Cycles:	500 cycles minimum
Interface Dimensions:	Conform to MIL-C-39012

**Environmental Characteristics**

Temperature Range:	-65 °C to +165 °C
--------------------	-------------------

PART	DESCRIPTION
1	Body Brass, nickel plated 2.54 μm
2	Ferrule Brass, nickel plated 2.54 μm
3	Contact Brass, gold plated 0.076 μm - 0.127 μm
4	Dielectric PTFE

DESCRIPTION OF REVISION	APPVD	ISS	DATE
Ferrule & Contact Dimensions Modified	JT	7	02 Mar 10
Crimp dimension was 3.3mm	PDC	6	04 Oct 02
CAD Issue	SN	5	14 Aug 02
Ferrule Dimension Modified	PDC	4	04 Oct 00
New Dimensions	RS	3	28 Jun 99
New Internal Design	DH	2	12 May 98
First Issue	AT	1	02 Feb 95

For stripping and assembly instructions see Drawing Number: VAIN1101



Cinch Connectivity Solutions  
7-13 Russel Way,  
Widford Industrial Estate,  
Chelmsford, Essex,  
CM1 3AA, UK.  
Tel: +44 (0) 1245 359515  
Fax: +44 (0) 1245 358938

SCALE: Not To Scale	DRAWN BY: P D Couzens
DIMENSIONS: mm	CHECKED BY: S Nash
TOLERANCES: ± 0.2mm unless otherwise stated	APPROVED BY: S Nash
	DATE: 04 Oct 02

TITLE:  
N Crimp Plug for RG213

PART NUMBER:  
**VN10-2020**

PAGE: 1 of 1