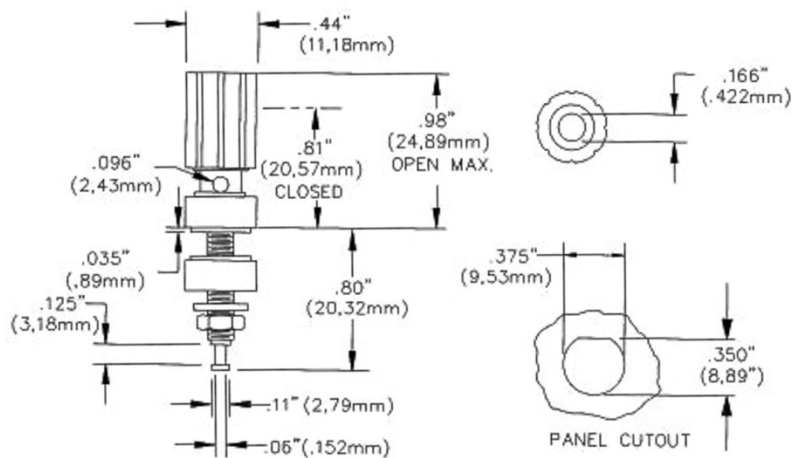


BU-P3760-*

(Nickel Plated Binding Post)



- Panel Thickness Between .070" and .250"
- Accepts non-shrouded or retractable 4mm banana plugs, bare wire or spade lugs
- Material: Contacts—Nickel Plated Brass
Insulator—Polycarbonate
- Color: The "*" in the model number represents color. Available colors are:
-0 Black, -2 Red, -4 Yellow, -5 Green, -6 Blue, -9 White
- Ratings: Hands free testing to 2500 VRMS., 15 Amps.
- Temperature: -50°C to 115°C
- RoHS Compliant