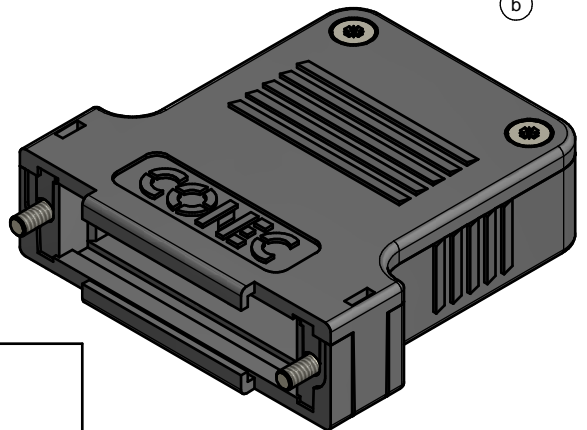


NOTES: (b)

1. HOOD + COVER: PBT UL 94 V-0; BLACK
2. CABLE STRAIN RELIEF: STEEL; NICKEL PLATED
3. PRESS INSERT: ABS UL 94 V-0; BLACK
4. SHORT SCREWS: STEEL; NICKEL PLATED
5. COVER SCREWS: STEEL; NICKEL PLATED
6. LENS HEAD SCREWS: STEEL; NICKEL PLATED

TECHNICAL DATA:

- TEMPERATURE RANGE: -40°C to + 125°C



CABLE STRAIN RELIEF (1x)



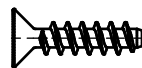
LENS HEAD SCREW (2x)



SHORT SCREW (2x)



PRESS INSERT (1x)



COVER SCREW (2x)

RoHS compliant

THIS DRAWING MAY NOT BE COPIED OR REPRODUCED IN ANY WAY, AND MAY NOT BE PASSED ON TO A THIRD PARTY WITHOUT WRITTEN PERMISSION. OWNERSHIP AND COPYRIGHT OF CONEC GmbH

DO NOT ALTER CAD DRAWING BY HAND

rev.		description	date	name	tolerance	dim. in mm
5 x b	A5607	14.04.15	M.H.			
a	Original					



scale:	2:1	
material:	SEE NOTES	
title:	PLASTIC HOOD 25pos. with straight cable exit	
dwg no:	(b) 16K1A3620	DIN-A3
part no:	165X13389X / 600X10025XS (b)	

sh: 1