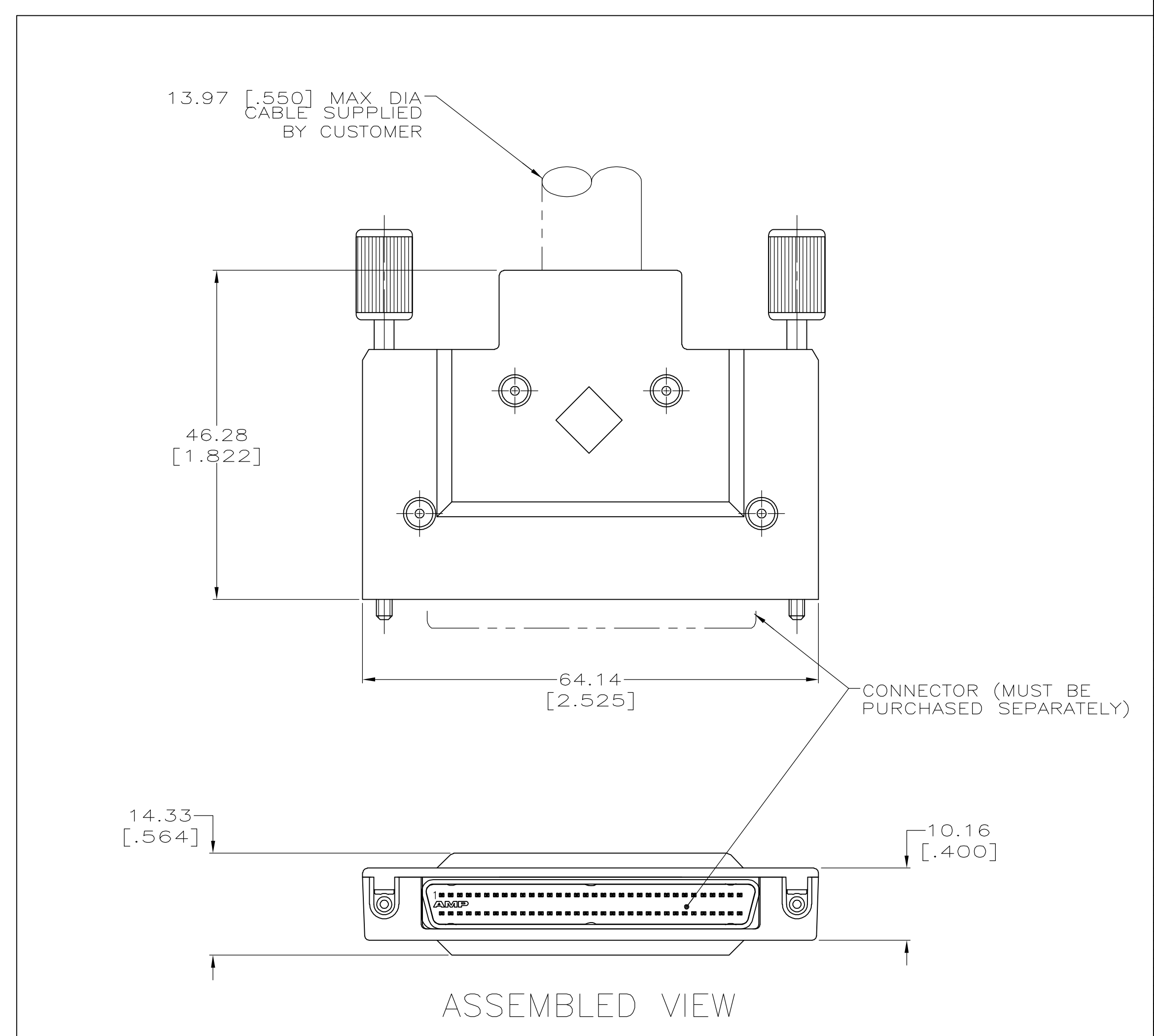
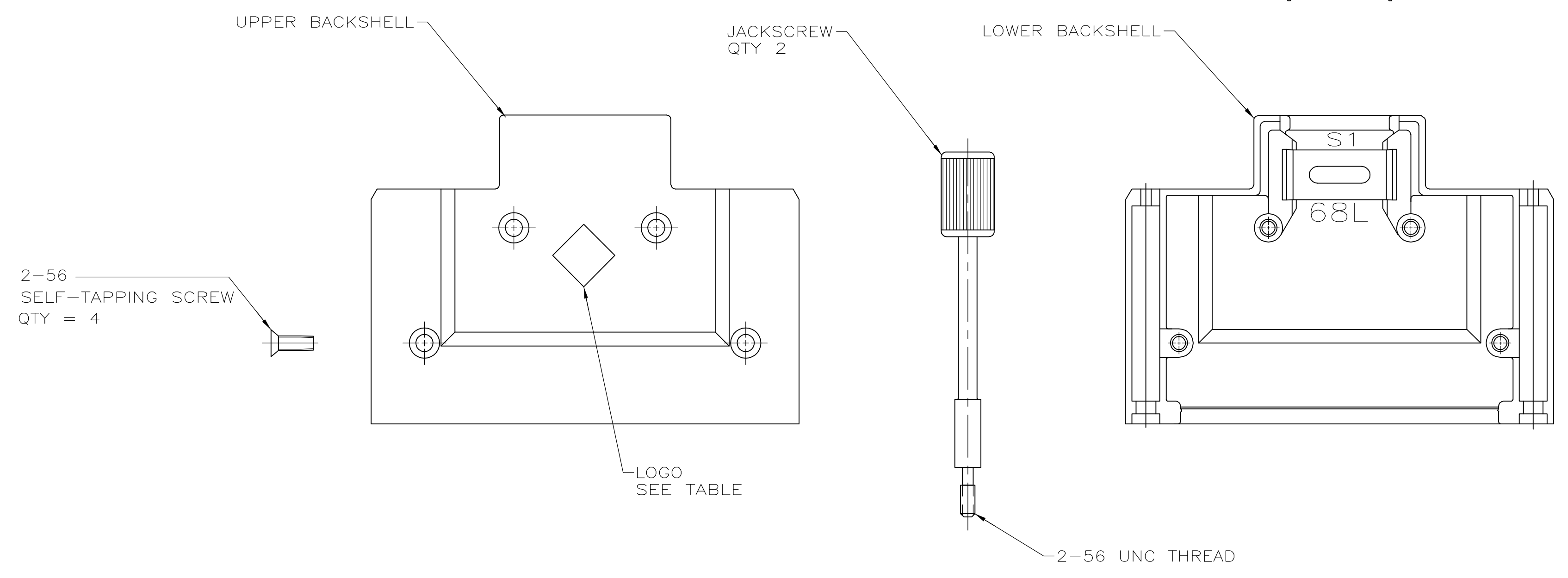


- ① BACKSHELL: ZINC PER ASTM B86.
- ② STAPLE: CARBON STEEL PER ASTM A109.
- ③ SCREW: STAINLESS STEEL.
- ④ 1.27μm [.000050] MIN TIN OVER 1.27μm [.000050] MIN NICKEL.
- ⑤ STAINLESS STEEL & PVC, BLACK.



NO	⑤	-	5786152-3
LOGO	JACKSCREW	FINISH	PART NUMBER

THIS DRAWING IS A CONTROLLED DOCUMENT.

DW	B. MCMASTER	20JUN05		Tyco Electronics Corporation
CHK	S. SHUEY	20JUN05		Harrisburg, Pa 17105-3608
APVD	S. SHUEY	20JUN05	NAME	BACKSHELL KIT, UNASSEMBLED, 68 POSN, .050 SERIES AMPLIMITE TM
PRODUCT SPEC			APPLICATION SPEC	
MATERIAL			SIZE	A1
FINISH			SCALE	2:1
			WEIGHT	-
			CAGE CODE	C=5786152
			DRAWING NO	
			SHEET	1 OF 1
			REV	A