

4

3

2

1

| | | | |
|------------------------------|-------------------------|--------------------------|--|
| THIS DRAWING IS UNPUBLISHED. | | RELEASED FOR PUBLICATION | |
| © COPYRIGHT - By - | | ALL RIGHTS RESERVED. | |
| PROJECT | PRJ-16-000909157 | | |
| PART NO. | X-2308342-X | | |
| DESCRIPTION | FULL METAL HOODS SIZE 3 | | |
| CUSTOMER | GENERAL MARKET | | |

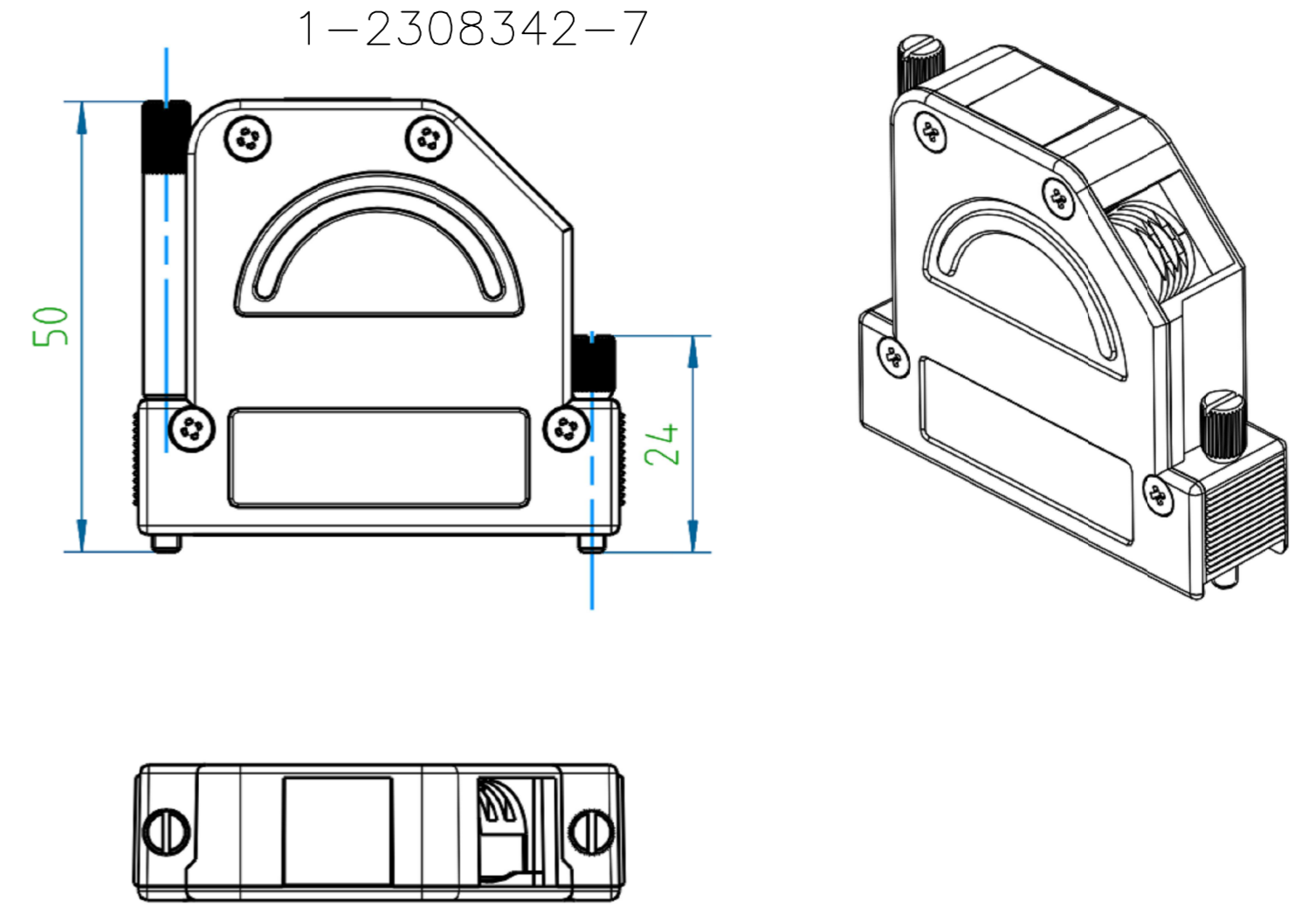
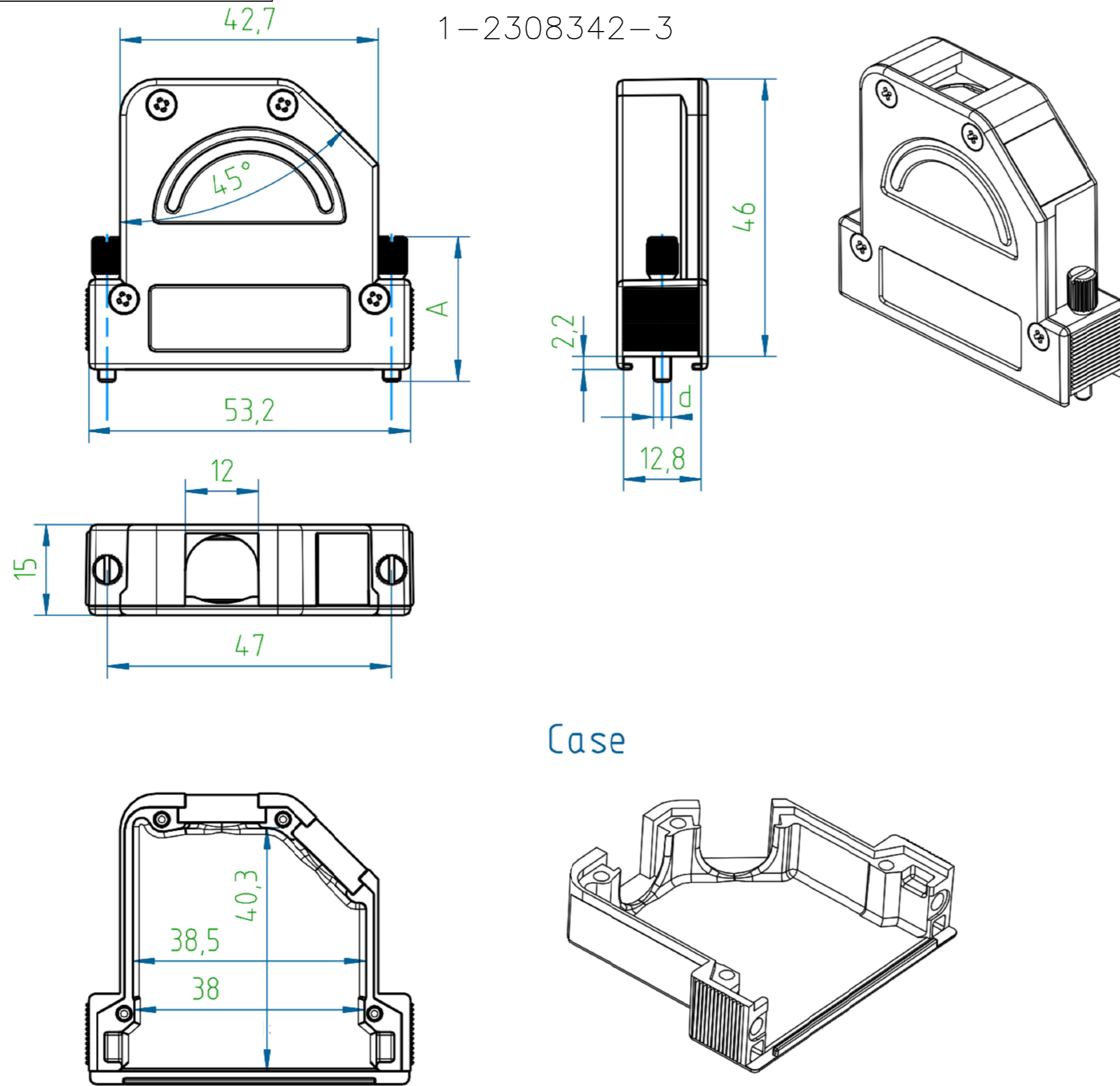
| REVISIONS | | | | | |
|-----------|-----|---------------------------|-----------|-----|------|
| P | LTR | DESCRIPTION | DATE | DWN | APVD |
| | A1 | REVISED PER ECR-16-013123 | 19SEP2016 | KK | GG |

D

C

B

A



D

C

B

A

2308342

NOTES:

- FINISH:
1-2308342-1 TO 1-2308342-8 - CASE RAW
1-2308342-9 TO 2-2308342-6 - CASE NICKEL-PLATED
- LOCKING SCREWS: NICKEL-PLATED
OTHER SCREWS: ZINC-PLATED
- TEMPERATURE RANGE: -40°C TO +90°C
- CABLE DIAMETER WITH EXTERNAL DIAMETER CABLE CLAMP: 4-14 mm.
- STRAND DIAMETER OF CRIMP FLANGE: 2.7-8.7 mm.

| | | | | |
|---|--|-----------------------------------|---------------------------------|--------------------|
| THIS DRAWING IS A CONTROLLED DOCUMENT. | | DWN KIRAN K 02AUG2016 | | |
| DIMENSIONS: mm | | CHK GUNASEKHAR G 02AUG2016 | | |
| TOLERANCES UNLESS OTHERWISE SPECIFIED: DIN ISO 2768-m DIN 16901 130B | | APVD GUNASEKHAR G 02AUG2016 | NAME FULL METAL HOODS SIZE 3 | |
| 0 PLC ± - 1 PLC ± - 2 PLC ± - 3 PLC ± - 4 PLC ± - ANGLES ± - | | PRODUCT SPEC | APPLICATION SPEC | |
| MATERIAL | | WEIGHT | SIZE A2 | CAGE CODE 00779 |
| FINISH | | CUSTOMER DRAWING | DRAWING NO G=2308342 | RESTRICTED TO |
| | | SCALE NTS | SHEET 1 of 2 | REV A1 |

THIS DRAWING IS UNPUBLISHED. RELEASED FOR PUBLICATION
 © COPYRIGHT - By - ALL RIGHTS RESERVED.

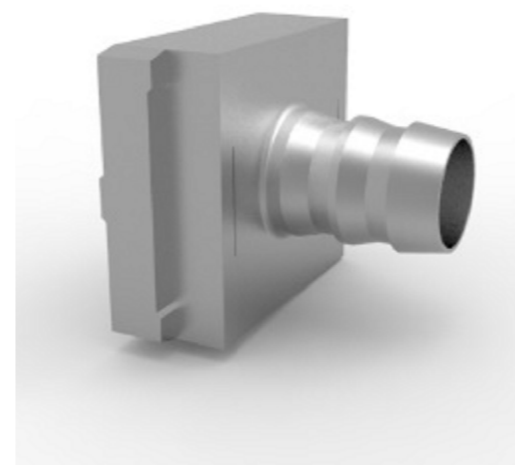
| REVISIONS | | | | | |
|-----------|-----|-------------|------|-----|------|
| P | LTR | DESCRIPTION | DATE | DWN | APVD |
| - | - | SEE SHEET 1 | - | - | - |

| PART NO. | DESCRIPTION | SUB-PART NO. | DESCRIPTION | A | d | WEIGHT, g | |
|---------------------|--------------------------|----------------|---|-----------|-------------|-----------|--|
| 1-2308342-8 | FULL METAL HOODS SIZE3-8 | 1-2308334-6 | 1-2308334-4 LOCKING SCREW (M3 LONG KNURLED) | S OVER | M3 | 72 | |
| 1-2308342-7 | FULL METAL HOODS SIZE3-7 | 1-2308334-5 | 1-2308334-3 LOCKING SCREW (4-40 UNC LONG KNURLED) | | 4-40 UNC | 72 | |
| 1-2308342-6 | FULL METAL HOODS SIZE3-6 | 1-2308334-6 | LOCKING SCREW (M3 LONG KNURLED) | 50.0 | M3 | 75 | |
| 1-2308342-5 | FULL METAL HOODS SIZE3-5 | 1-2308334-5 | LOCKING SCREW (4-40 UNC LONG KNURLED) | 50.0 | 4-40 UNC | 75 | |
| 1-2308342-4 | FULL METAL HOODS SIZE3-4 | 1-2308334-4 | LOCKING SCREW (M3 SHORT KNURLED) | 24.0 | M3 | 67 | |
| 1-2308342-3 | FULL METAL HOODS SIZE3-3 | 1-2308334-3 | LOCKING SCREW (4-40 UNC SHORT KNURLED) | 24.0 | 4-40 UNC | 67 | |
| 1-2308342-2 | FULL METAL HOODS SIZE3-2 | 1-2308334-2 | LOCKING SCREW (M3 W/SPRING WASHER) | 20.7 | M3 | 66 | |
| 1-2308342-1 | FULL METAL HOODS SIZE3-1 | 1-2308334-1 | LOCKING SCREW (4-40 UNC W/SPRING WASHER) | 20.7 | 4-40 UNC | 66 | |
| PART NO. (CASE RAW) | | LOCKING SCREWS | | | | | |

| PART NO. | DESCRIPTION | SUB-PART NO. | DESCRIPTION | A | d | WEIGHT, g | |
|---------------------------|---------------------------|----------------|---|-----------|-------------|-----------|--|
| 2-2308342-6 | FULL METAL HOODS SIZE3-16 | 1-2308334-6 | 1-2308334-4 LOCKING SCREW (M3 LONG KNURLED) | S OVER | M3 | 72 | |
| 2-2308342-5 | FULL METAL HOODS SIZE3-15 | 1-2308334-5 | 1-2308334-3 LOCKING SCREW (4-40 UNC LONG KNURLED) | | 4-40 UNC | 72 | |
| 2-2308342-4 | FULL METAL HOODS SIZE3-14 | 1-2308334-6 | LOCKING SCREW (M3 LONG KNURLED) | 50.0 | M3 | 75 | |
| 2-2308342-3 | FULL METAL HOODS SIZE3-13 | 1-2308334-5 | LOCKING SCREW (4-40 UNC LONG KNURLED) | 50.0 | 4-40 UNC | 75 | |
| 2-2308342-2 | FULL METAL HOODS SIZE3-12 | 1-2308334-4 | LOCKING SCREW (M3 SHORT KNURLED) | 24.0 | M3 | 67 | |
| 2-2308342-1 | FULL METAL HOODS SIZE3-11 | 1-2308334-3 | LOCKING SCREW (4-40 UNC SHORT KNURLED) | 24.0 | 4-40 UNC | 67 | |
| 2-2308342-0 | FULL METAL HOODS SIZE3-10 | 1-2308334-2 | LOCKING SCREW (M3 W/SPRING WASHER) | 20.7 | M3 | 66 | |
| 1-2308342-9 | FULL METAL HOODS SIZE3-9 | 1-2308334-1 | LOCKING SCREW (4-40 UNC W/SPRING WASHER) | 20.7 | 4-40 UNC | 66 | |
| PART NO. (CASE Ni-PLATED) | | LOCKING SCREWS | | | | | |

NOTE:

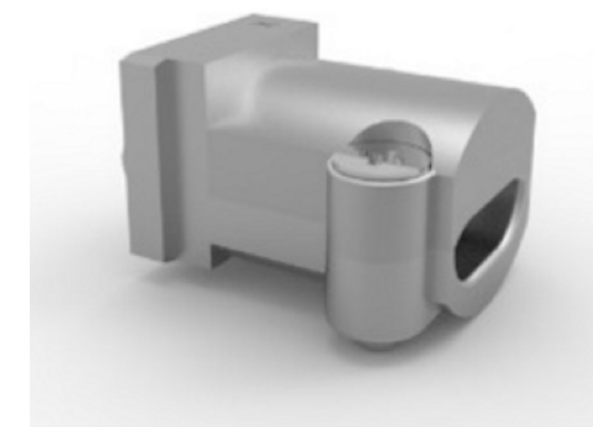
- * CRIMP FLANGE PN *-2308349-* TO BE ORDERED SEPARATELY.
- * CRIMP BARREL TO BE USED IN COMBINATION WITH THE FLANGE PN *-2308350-* TO BE ORDERED SEPARATELY.
- * CABLE CLAMP SCREW VERSION PN *-2308272-* TO BE ORDERED SEPARATELY.



CRIMP FLANGE



CRIMP BARREL



CABLE CLAMP

| | | | | |
|---|-------------|-----------------------------------|---------------------------------|--------------------|
| THIS DRAWING IS A CONTROLLED DOCUMENT. | | DWN KIRAN K 02AUG2016 | TE Connectivity | |
| DIMENSIONS: mm | | CHK GUNASEKHAR G 02AUG2016 | NAME FULL METAL HOODS SIZE 3 | |
| TOLERANCES UNLESS OTHERWISE SPECIFIED: DIN ISO 2768-m DIN 16901 130B | | APVD GUNASEKHAR G 02AUG2016 | PRODUCT SPEC | |
| 0 PLC ± - 1 PLC ± - 2 PLC ± - 3 PLC ± - 4 PLC ± - ANGLES ± - | | APPLICATION SPEC | SIZE A2 | CAGE CODE 00779 |
| MATERIAL - | FINISH - | WEIGHT | DRAWING NO G=2308342 | RESTRICTED TO - |
| CUSTOMER DRAWING | | | SCALE NTS | SHEET 2 of 2 |
| | | | REV A1 | |